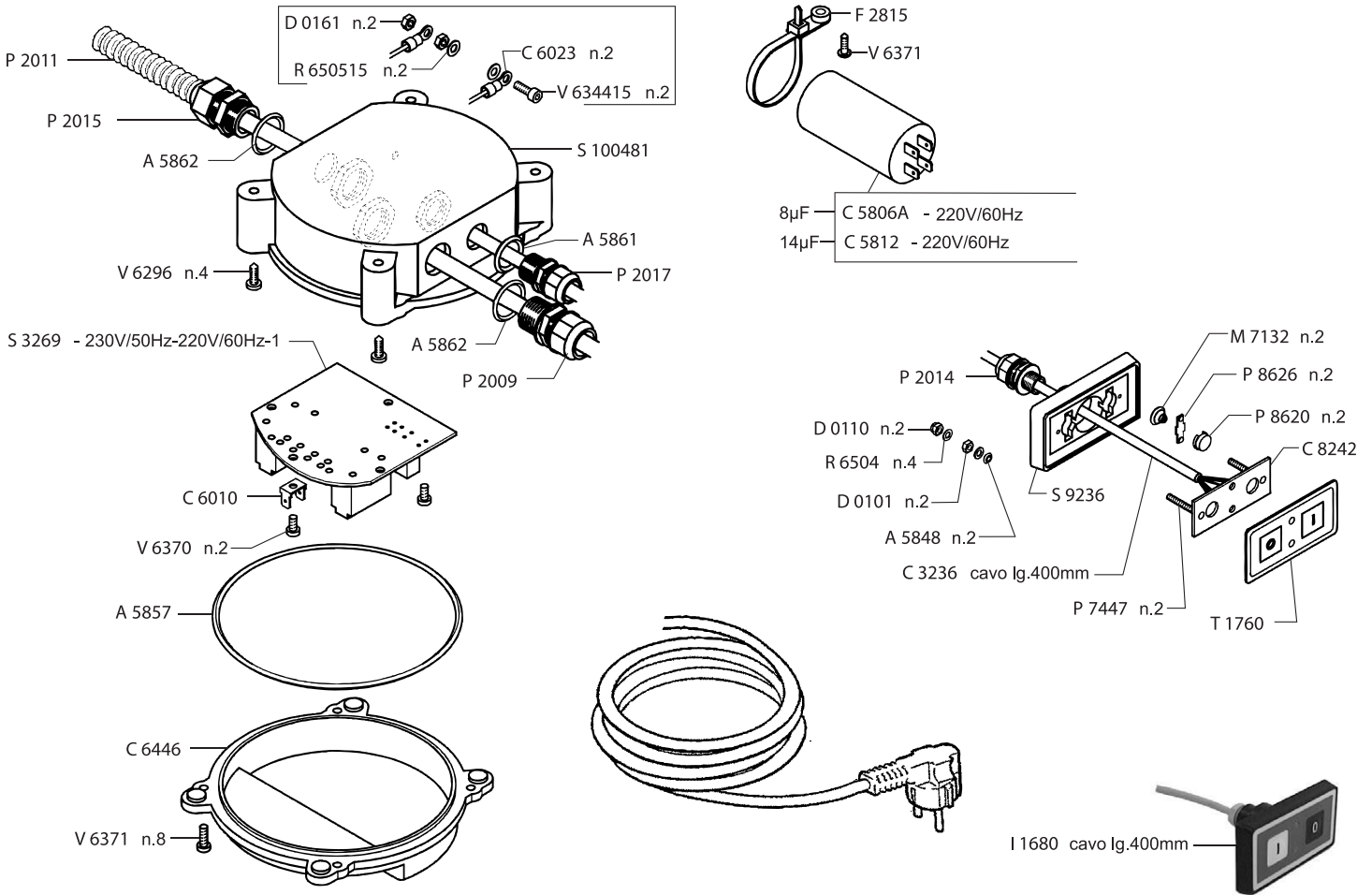


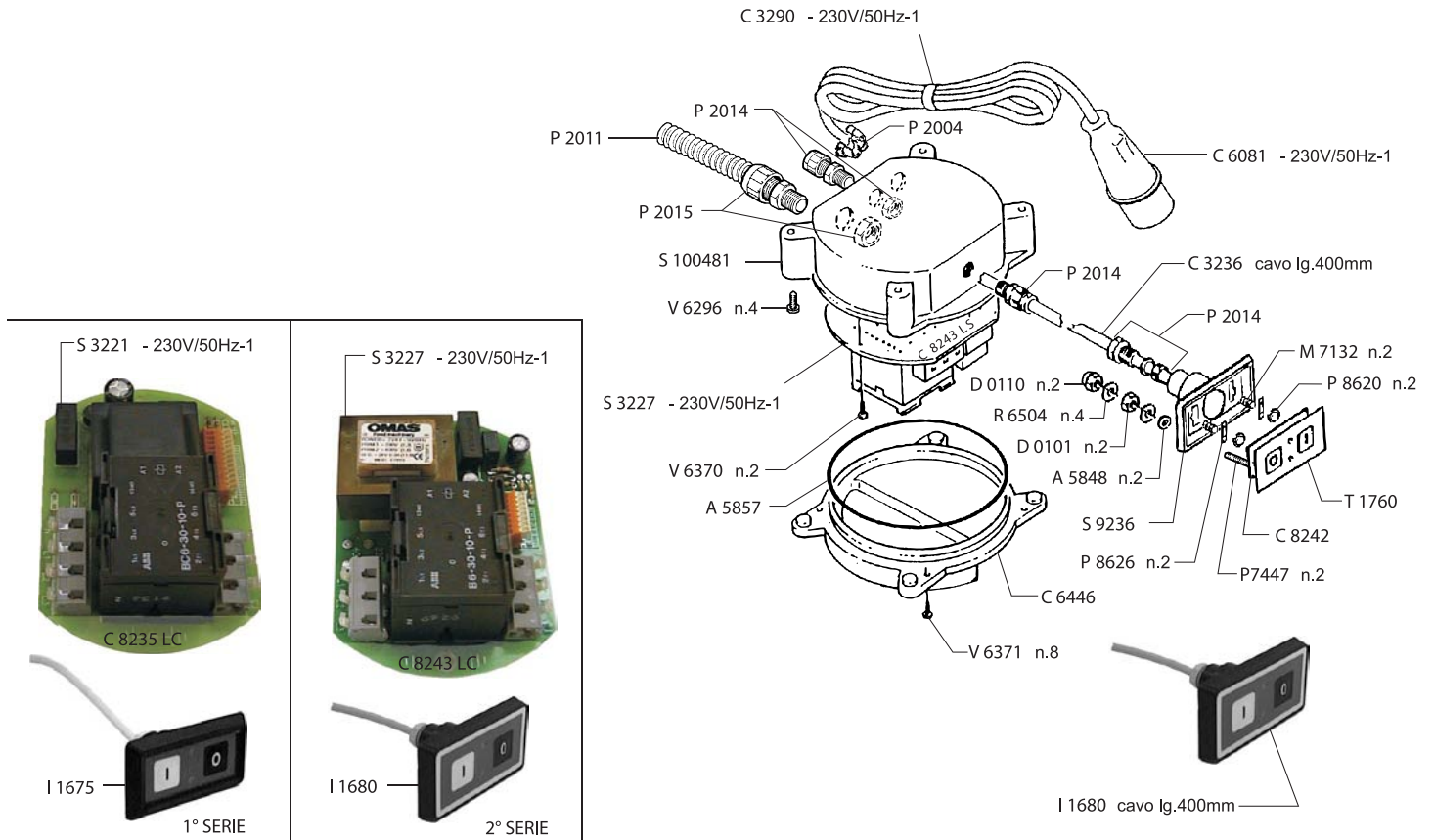
Parts Breakdown

Model MS-IT-0313-H 44006



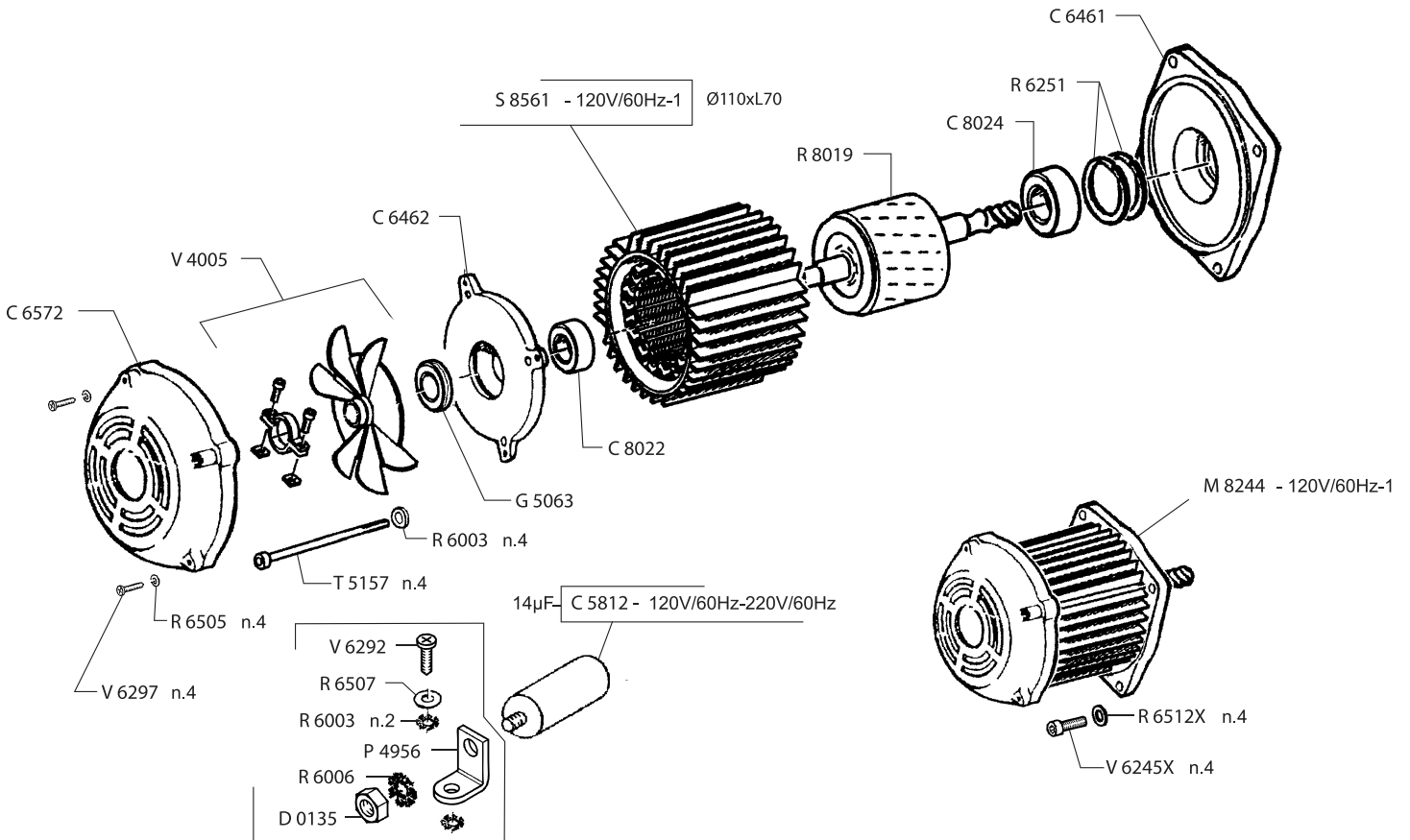
Parts Breakdown

Model **MS-IT-0313-H** 44006



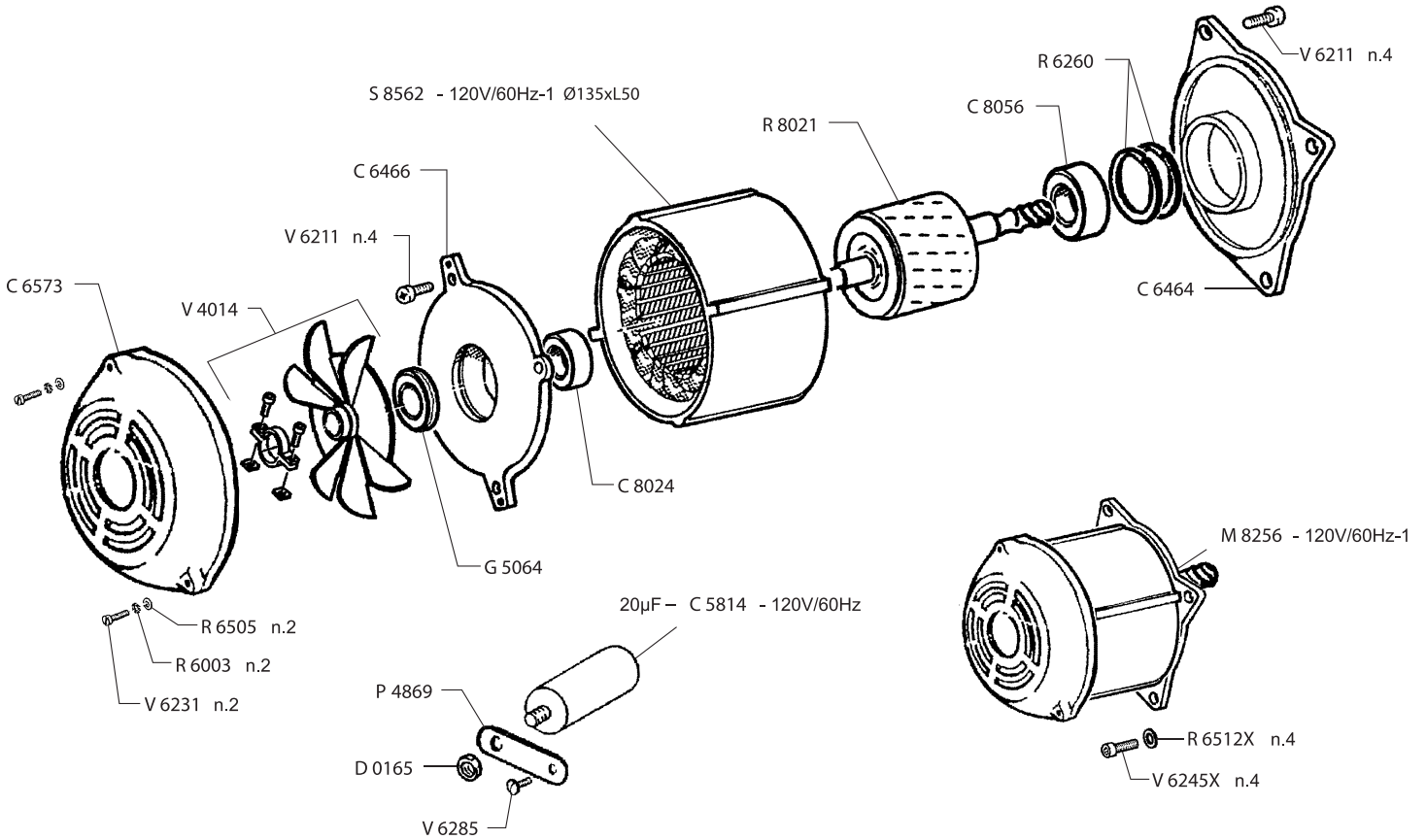
Parts Breakdown

Model MS-IT-0313-H 44006



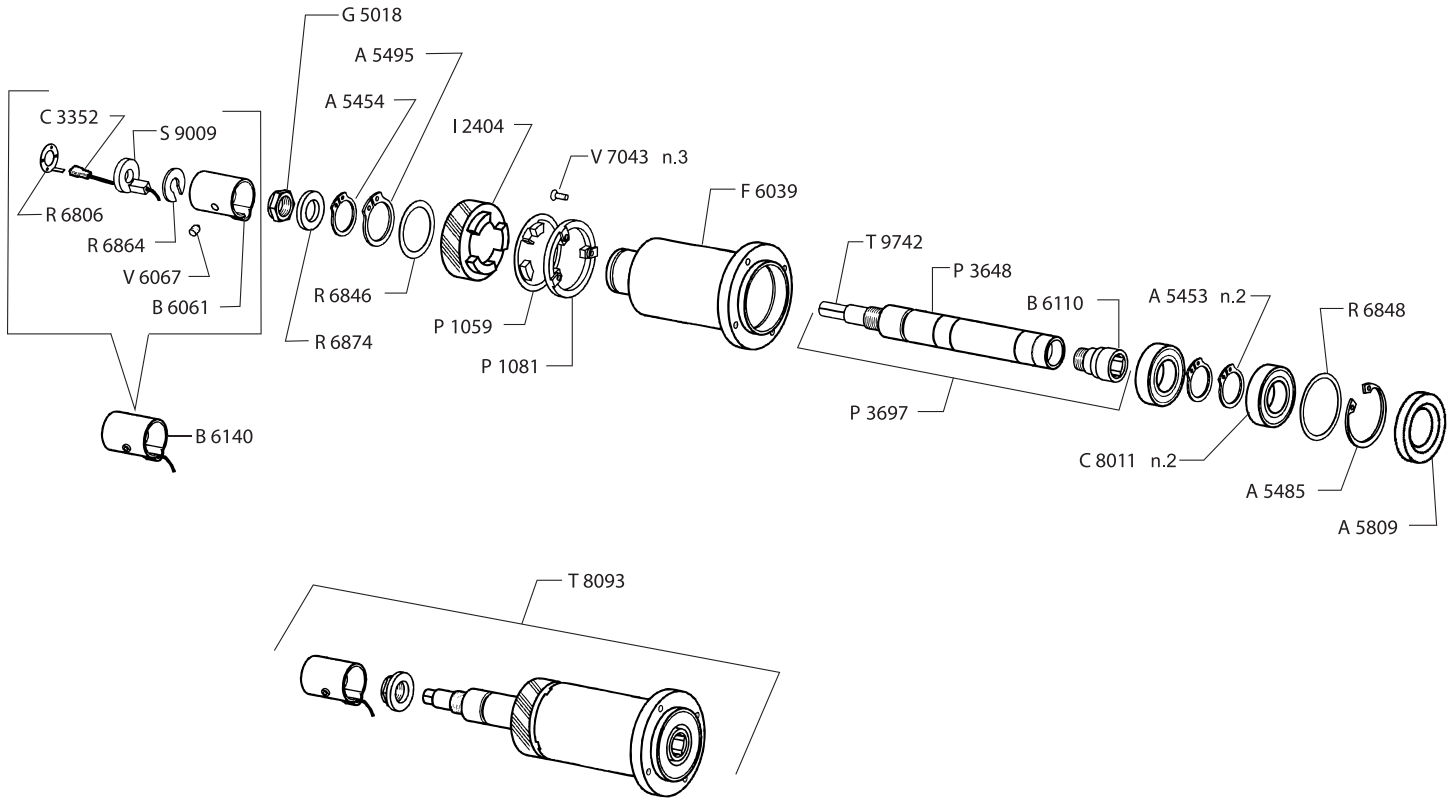
Parts Breakdown

Model MS-IT-0313-H 44006



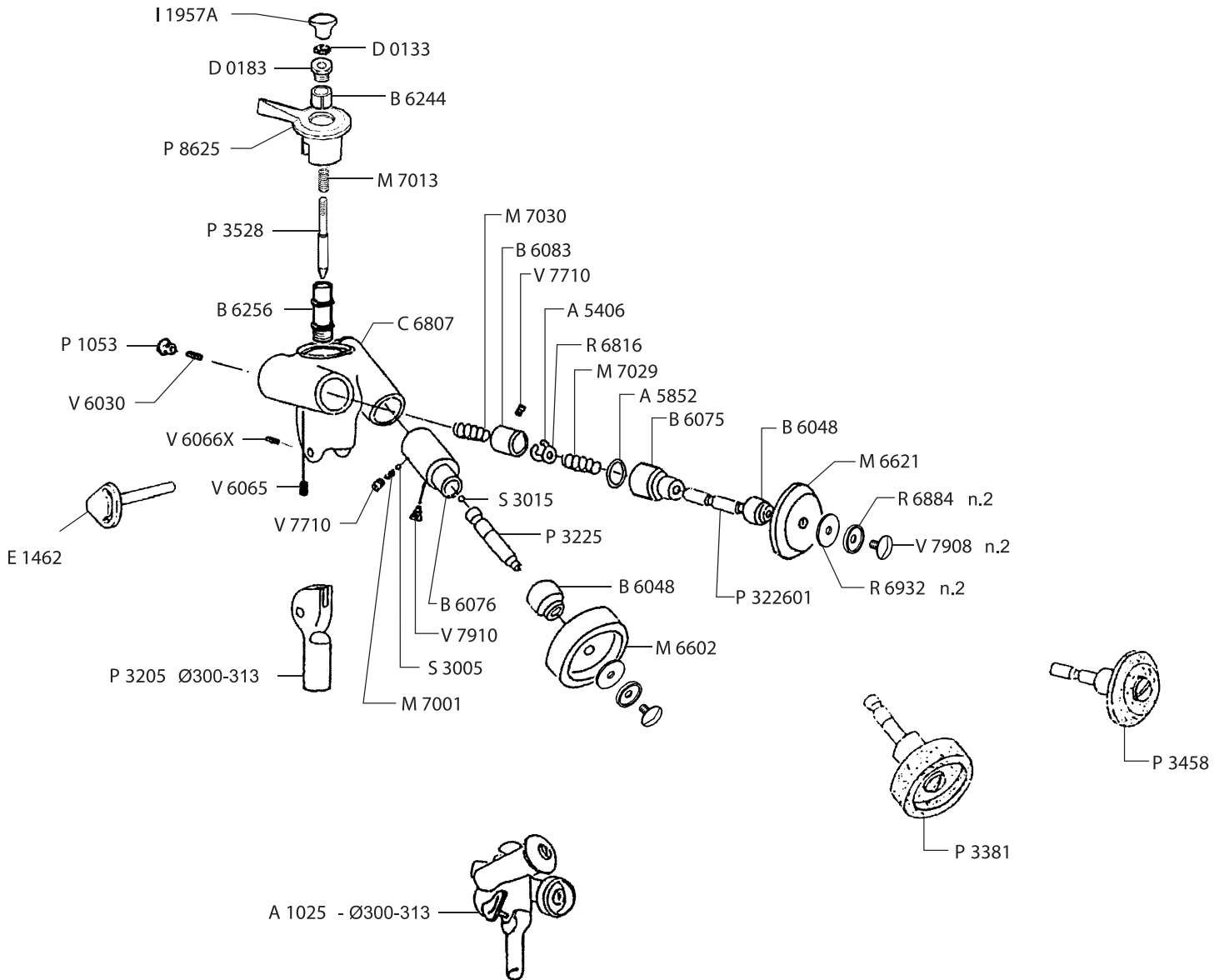
Parts Breakdown

Model MS-IT-0313-H 44006



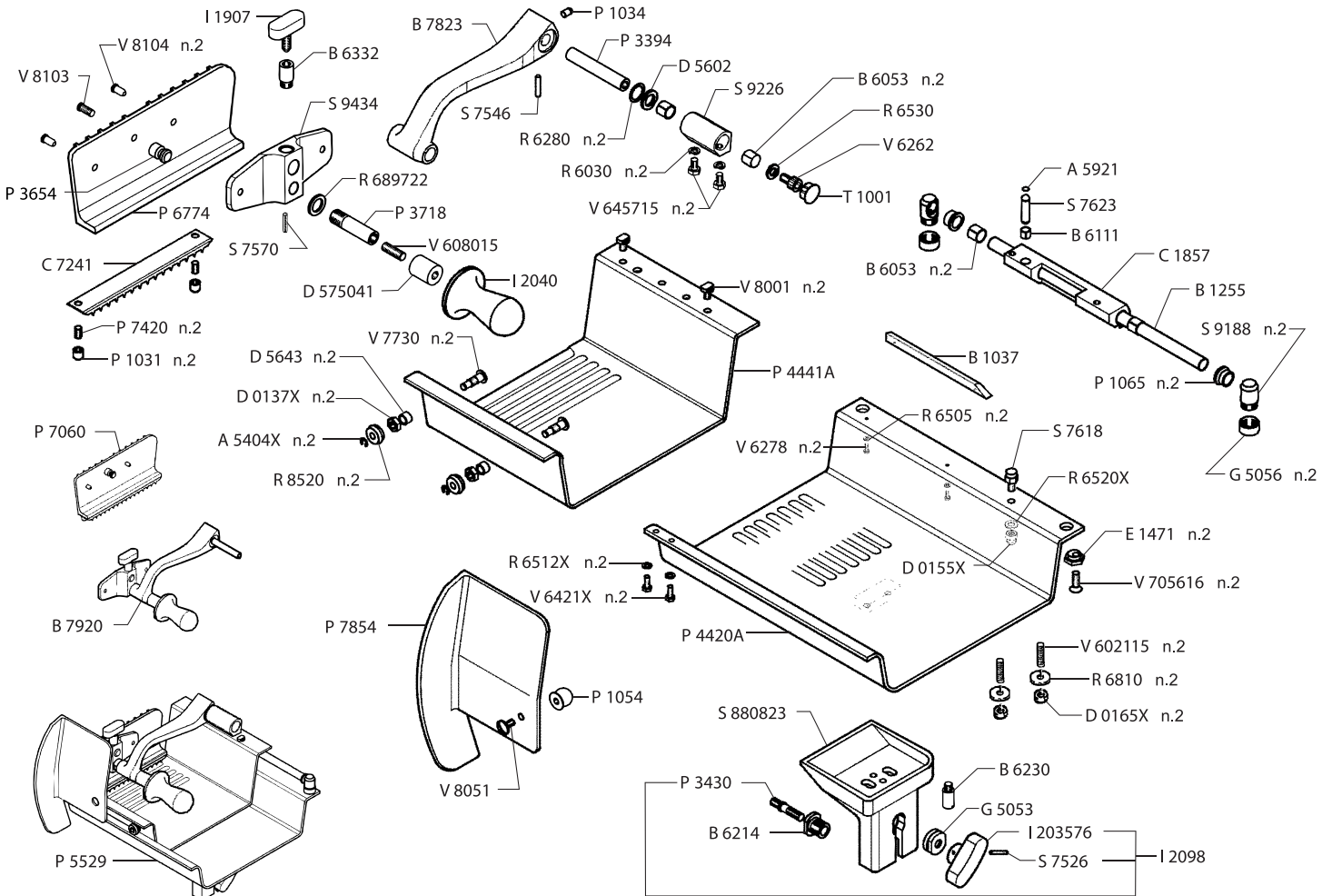
Parts Breakdown

Model MS-IT-0313-H 44006



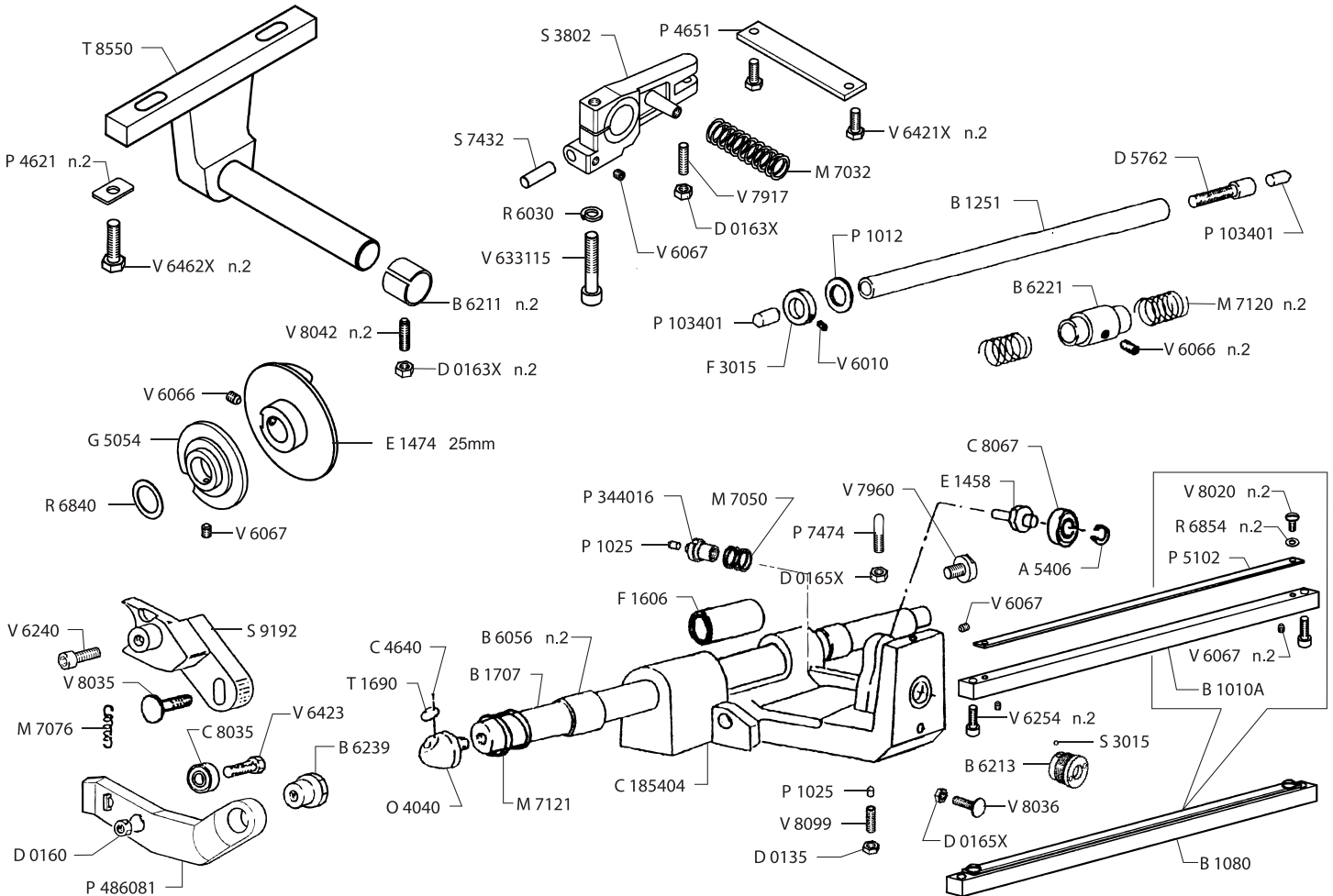
Parts Breakdown

Model MS-IT-0313-H 44006



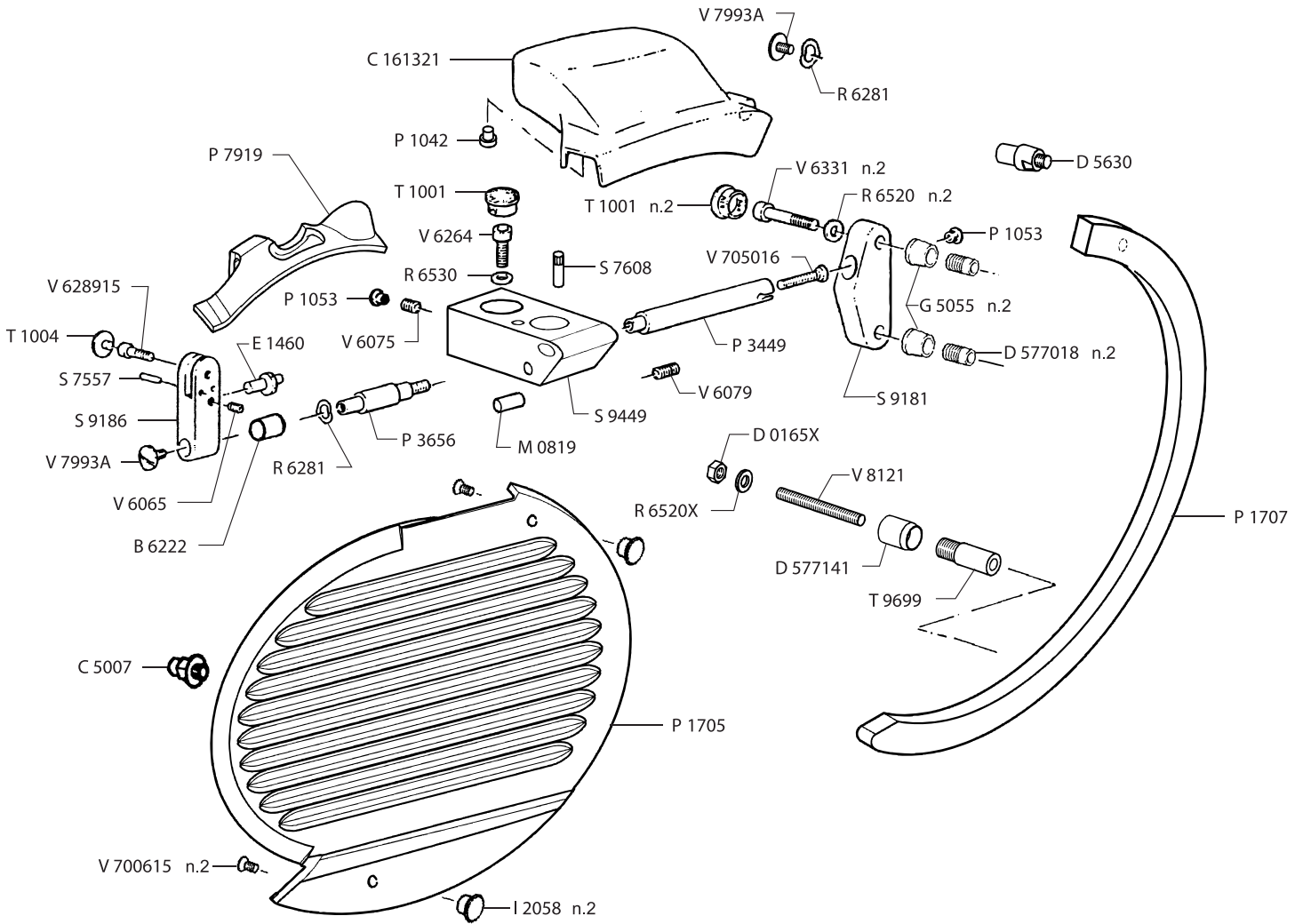
Parts Breakdown

Model MS-IT-0313-H 44006



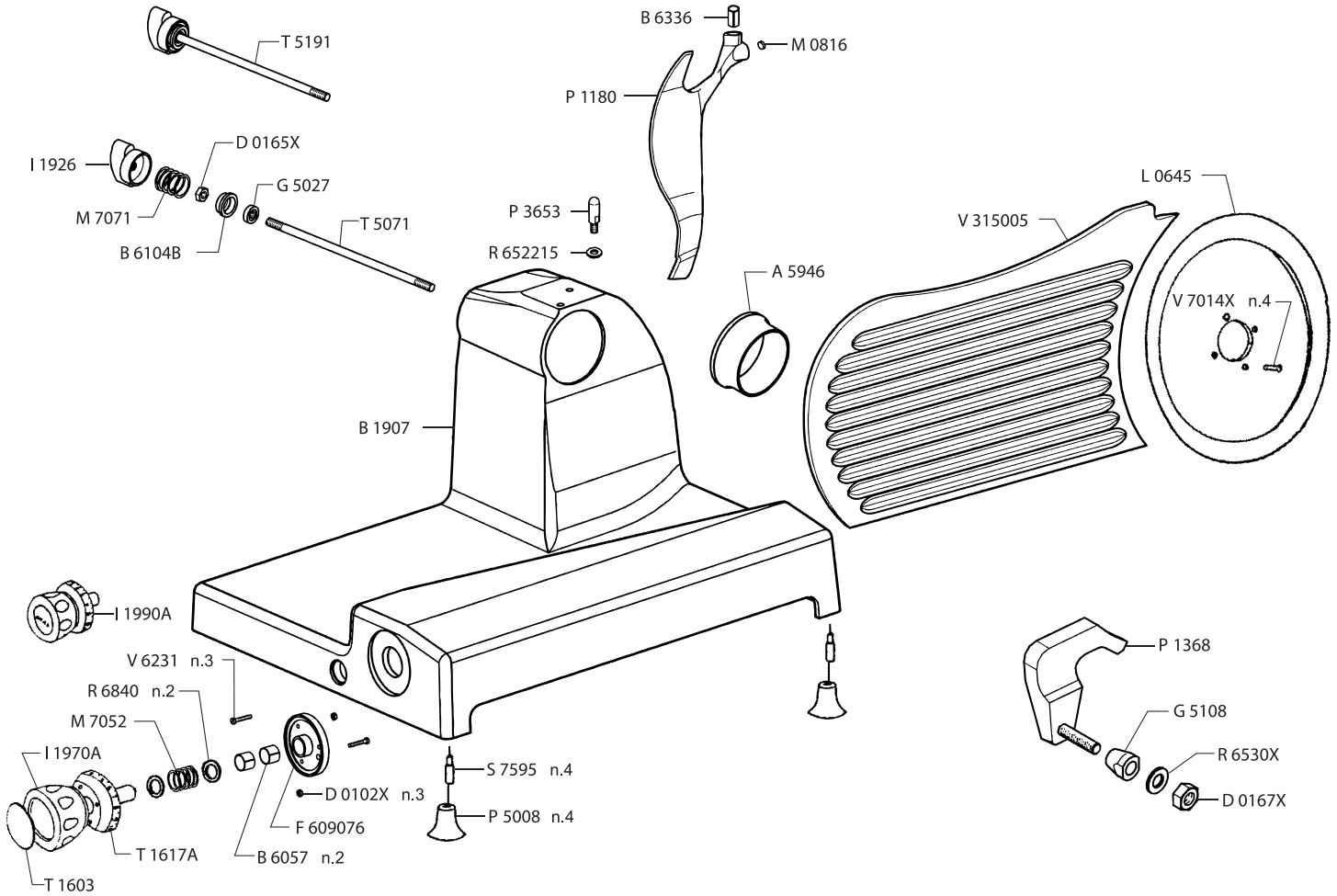
Parts Breakdown

Model MS-IT-0313-H 44006



Parts Breakdown

Model MS-IT-0313-H 44006





Parts Breakdown

Model MS-IT-0313-H 44006

Item No.	Description	Position	Item No.	Description	Position	Item No.	Description	Position
36532	Assy Sharpener for 44006	A1025	36566	Bushing to Hold Carriage Springs for 44006	B6221	16926	Bearing 2RS-6000 (10x26x8) for 44006	C8067
36536	Ring EL.Benzing 6 Stainless Steel for 44006	A5404X	36567	Bushing DU 12x14x25 for 44006	B6222	60423	Touch Pad Gasket for 44006	C8242
16902	Ring EL.Benzing 8 for 44006	A5406	60449	Meat Tray Support Bushing for 44006	B6230	19637	Nut M3 for 44006	D0101
17281	Ring EL.Seeger Ext.25 for 44006	A5453	36569	Fixing Lever Bushing for 44006	B6239	77504	Stainless Steel Nut U5587 M4 for 44006	D0102X
77585	Ring EL.Seeger Est.25 Ser.Heavy for 44006	A5454	17313	Bushing DU 14x15x16 for 44006	B6244	77612	Self-Locking Nut M3 UNI7473 for 44006	D0110
19484	Ring 52 for 44006	A5485	23646	Sharpener Pivot Ferrule for 44006	B6256	16928	Nut U5589 M6 for 44006	D0133
19612	Ring 33 for 44006	A5495	77552	Bushing for Plate for 44006	B6332	19639	Nut M8 for 44006	D0135
17283	Oil Seal 25x52x10 for 44006	A5809	62431	Pusher Arm for 44006	B7823	36638	Nut U5589 M10 Stainless Steel for 44006	D0137X
77601	Oil Seal OR 2010 for 44006	A5848	36591	Carriage Support for 44006	C185404	19642	Nut M8 for 44006	D0155X
17287	O-Ring 123 17.86x2.62 for 44006	A5852	62414	Carriage Plate for 44006	C1857	36643	Nut U5588 M5 for 44006	D0160
77602	O-Ring OR 4500 for 44006	A5857	77605	Assy Wiring 6 Poles LG.400 for 44006	C3236	77613	Normal Nut U5588 M4 for 44006	D0161
77603	O-Ring 2037 9.25x1.78 for 44006	A5861	78287	Power Cord 230/50 for 44006	C3290	36646	Nut U5588 M6 Stainless Steel for 44006	D0163X
77604	O-Ring 2056 14x1.78 for 44006	A5862	79263	Contact Pin for 44006	C3352	36647	Nut U5588 M8 for 44006	D0165
77547	Pin Stop Ring for 44006	A5921	36601	Rivet 1.9x5 for 44006	C4640	36648	Nut U5588 M8 for 44006	D0165X
77502	Shaft Sealing Ring Ø98x42 for 44006	A5946	36607	Blade Cover Bolt Keeper 14x14M for 44006	C5007	36649	Nut U5588 M10 Stainless Steel for 44006	D0167X
17290	Carriage Bar for 44006	B1010A	36608	Capacitor 8 MF 400V for 44006	C5806A	36651	Sharpener Support Nut for 44006	D0183
62419	Tray Rod for 44006	B1037	16913	Capacitor 14 MF 400V for 44006	C5812	19648	Knife Spacer for 44006	D5602
60431	Complete Carriage Rail Assembly for 44006	B1080	36609	Capacitor 20 µF 250V for 44006	C5814	AN157	Spacer Sharp. Cover for 44006	D5630
36548	Shock Absorber Bar 12x170 for 44006	B1251	74403	Connector Faston 2 Poles Male for 44006	C6010	17341	Spacer D.10.5x14 H.9 for 44006	D5643
62420	Plate Rod for 44006	B1255	77607	Connector BM00219 for 44006	C6023	62433	Spacer Handle Pusher for 44006	D575041
16904	Bushing Sharpener for 44006	B6048	77609	Connettore Spina Monofase 2x16A CEE for 44006	C6081	36661	Carriage Shock Absorber Spacer for 44006	D5762
16905	Bushing DU 16x18x15 for 44006	B6053	77610	Box Cover for P.C. Board for 44006	C6446	36665	Locknut Spacer for 44006	D577018
AK403	Bushing DU 25x28x20 for 44006	B6056	60461	Motor Frontplate for 44006	C6461	77519	Spacer Eccentrico for 44006	D577141
17305	Bushing DU 18x20x15 for 44006	B6057	60455	Motor Backplate for 44006	C6462	17345	Cam Bearing for 44006	E1458
19514	Bushing Guard A310 for 44006	B6061	36614	Cover Anter.Motor H (Diam.135) for 44006	C6464	36677	Cam Pin for 44006	E1460
16906	Bush Sharpening for 44006	B6075	36615	Back Motor Cover for 44006	C6466	60450	Cam for Sharpener for 44006	E1462
16907	Bush. Sharpening for 44006	B6076	62427	Motor Fan Cover Diam.110 for 44006	C6572	77558	Eccentric for 44006	E1471
17307	Bushing Sharp. for 44006	B6083	36617	Motor Fan Cover for 44006	C6573	69701	Black Plastic Cam 25mm for 44006	E1474
19630	Bushing Fastener for 44006	B6104B	19534	Housing Sharpener H for 44006	C6807	77614	Nylon Cable Tie (Diam.45x200) for 44006	F2815
78265	Bushing Funnel for 44006	B6110	19535	Rack for 44006	C7241	36682	Unhook Friction Clasp 12x22x8 for 44006	F3015
77550	Bushing DU 10x12x10 for 44006	B6111	17334	Bearing 2Z-6205 25x52x15 for 44006	C8011	77591	Suppor Blade Flange for 44006	F6039
77588	Bushing Fastener Guard Knife A310 A for 44006	B6140	17335	Bear.2RS-6203 17x40x12 for 44006	C8022	17349	Handle Flange for 44006	F609076
17312	Bushing 22x25x20 for 44006	B6211	16925	Bearing 2RS-6204 20x47x14 for 44006	C8024	17351	Locknut for 44006	G5018
36563	Carriage Bushing for 44006	B6213	36630	Bearing 5x16x6.5 for 44006	C8035	36689	Stainless Steel Locknut M8 for 44006	G5027
36564	Bushing for Carriage Support lg.23mm for 44006	B6214	36631	Bearing 2RS-6205 25x52x15 for 44006	C8056	36691	Ring for Bushing for 44006	G5053



Parts Breakdown

Model MS-IT-0313-H 44006

Item No.	Description	Position	Item No.	Description	Position	Item No.	Description	Position
36692	Ring for Cam for 44006	G5054	19796	Plastic Shock for 44006	P1031	60458	Motor L-Bracket for 44006	P4956
36695	Ring Support Cap for 44006	G5055	17392	PL.Shock Absorb.8.5x20 for 44006	P1034	16961	Foot for 44006	P5008
77559	Plate Bar Supp. Ring 250/273 for 44006	G5056	36761	Shock Absorber for 44006	P103401	65632	Sliding Bearing Flat for 44006	P5102
62422	Index Locknut M4 2 P1 for 44006	G5063	19797	Nylon Shock 8.5x8 for 44006	P1042	19655	Meat Grip Stud for 44006	P7420
36697	Logging Lock Nut for 44006	G5064	36762	Rubber Plug for 44006	P1053	60424	Touch Pad Screw for 44006	P7447
AN158	Support Locknut for Ext. Knife Cove for 44006	G5108	77562	Shock Absorber for 44006	P1054	77539	Stud Plate M8x25x35 for 44006	P7474
77615	Assy P.C.B. for 44006	I1675	16955	Shock Absorber for 44006	P1059	36854	Thumb Protection for 44006	P7854
17352	Touch Pad-Start/Stop Push Button for 44006	I1680	77563	Shock Absorber for 44006	P1065	77525	Mobile Protection for 44006	P7919
19580	Handle for 44006	I1907	17395	Shock Absorber for 44006	P1081	78282	Lock Washer for 44006	P8620
17356	Fastener Handle for 44006	I1926	AN159	Deflector for 44006	P1180	24030	Sharpener Operating Handle for 44006	P8625
19587	Sharpener Knob for 44006	I1957A	AN160	Slice Deflector for 44006	P1368	78284	Bracket for 44006	P8626
36705	Adjustment Knob for 44006	I1970A	61616	Cover Blade for 44006	P1705	19657	Washer 4 for 44006	R6003
36708	Assy Index Knob for 44006	I1990A	AN161	Coverblade Esterno for 44006	P1707	19659	Washer 8 for 44006	R6006
18220	Knob-Handling for 44006	I203576	77616	Strain Relief for 44006	P2004	19661	Washer 8 for 44006	R6030
17363	End Grip Handle for 44006	I2040	77617	Strain Relief for 44006	P2009	78258	Washer 30.5x46.5x0.6 for 44006	R6251
36714	Blade Cover Handling for 44006	I2058	60421	Electrical Conduit for 44006	P2011	19665	Washer for 44006	R6260
36717	Knob Assy for 44006	I2098	36778	Wire-Press for 44006	P2014	19666	Washer for 44006	R6280
69728	315mm Blade 100CR6 W1.2067 for 44006	L0645	36779	Core-Hitch+Nut for 44006	P2015	19667	Washer 12x17x2 for 44006	R6281
79268	Magnete MFD 020 004 010 for 44006	M0816	36780	Wire Pusher for 44006	P2017	36880	Washer U6592 3 for 44006	R6504
77520	Magnet Ø8x25 for 44006	M0819	19811	Pin Sharpener for 44006	P3205	17455	Washer U6592 4 for 44006	R6505
14787	Grinding Sharpening Stone 48x15x14.3 for 44006	M6602	16959	Pin Grinding for 44006	P3225	77618	Washer U6592 4 Stainless Steel for 44006	R650515
21644	F Stone 51x7x14.3 for 44006	M6621	17419	Pin Truing for 44006	P322601	36881	Washer U6593 5 (5.5x15x1.2) for 44006	R6507
36741	Spring 2.9x4x12 Stainless Steel for 44006	M7001	17427	Assy Grinding Stone & Pin for 44006	P3381	17457	Washer U6592 6 Stainless Steel for 44006	R6512X
17377	Spring 8.5x1.0x25 Stainless Steel for 44006	M7013	19825	Pin Support Meat Grip for 44006	P3394	16968	Washer U65928 for 44006	R6520
17379	Spring 11.9x0.7x27 Stainless Steel for 44006	M7029	36793	Pin.Handle for 44006	P3430	36884	Washer U6592 8 Stainless Steel for 44006	R6520X
17380	Spring 13.4x1.3x30 Stainless Steel for 44006	M7030	62428	Lock Plate Pivot H for 44006	P344016	77512	Washer 8.5x18x2 for 44006	R652215
19776	Spring 14x1.5x60 for 44006	M7032	62430	Pivot Supporto Anello Paralama for 44006	P3449	19668	Washer 10 for 44006	R6530
19782	Spring 19.5x1.5x16.7 for 44006	M7050	17426	Assy Honing Stone Pivot for 44006	P3458	36885	Washer U6592 10 Stainless Steel for 44006	R6530X
17381	Spring 22 5x1 8x18 for 44006	M7052	23645	Sharpener Pivot for 44006	P3528	17458	Contact Washer for 44006	R6806
19250	Spring 24.8x1.8x15 for 44006	M7071	79272	Knife Shaft for 44006	P3648	36888	Washer 8x24x2 for 44006	R6810
36746	Spring 7x0.8x23 Cam for 44006	M7076	77511	Pin Deflector for 44006	P3653	36889	Washer 10.5x16x1 for 44006	R6816
19248	Spring 15.6x20x2.2 for 44006	M7120	77565	Pivot Pusher for 44006	P3654	16969	Washer 18.2x25x0.5 for 44006	R6840
36749	Carriage Bar Spring 25-28-1.5 for 44006	M7121	77524	Pin for Protec.Support L35S for 44006	P3656	17460	Washer 34.2x46x0.5 for 44006	R6846
78283	Screw for 44006	M7132	77594	Assy Driving Pivot for 44006	P3697	19674	Washer 44.5x51.5x0.2 for 44006	R6848
60464	Motor 120-60 (Tubo Alet.110) for 44006	M8244	36808	Tray for 44006	P4420A	77540	Washer 6.2x14x0.6 for 44006	R6854
17383	Motor for 44006	M8256	19831	Gauge Plate Flat Bar VS for 44006	P4621	77596	Switch Washer A310 for 44006	R6864
19791	Oiler Oil Cap with Screw for 44006	O4040	19832	Flat Bar for 44006	P4651	36892	Washer 17x30x4 for 44006	R6874
17388	R.Shock Absorb.12x19x2 for 44006	P1012	77537	Ecc. Locking Plate for 44006	P486081	16972	Washer 5.5x19x2.5 for 44006	R6884
36760	Pin Tray Shock-Absorber for 44006	P1025	60469	Motor Straight Bracket for 44006	P4869	36897	Special Washer 5.5x22x1.5 for 44006	R6932

Parts Breakdown

Model MS-IT-0313-H 44006

Item No.	Description	Position	Item No.	Description	Position	Item No.	Description	Position
60460	Rotor Kg.1.80 Each for 44006	R8019	36985	Label Plate for 44006	T1617A	77629	Screw TBTC AUT.U6954 4.2x13 for 44006	V6296
78261	Rotor Stator H.50 for 44006	R8021	19883	Label Oil for 44006	T1690	77600	Screw TBTC AUT.U6954 3.9x32 for 44006	V6297
16973	Plate Wheel D.25x9.5 for 44006	R8520	77628	Switch Overlay for 44006	T1760	19913	Screw M8x45 for 44006	V6331
77620	Control Box for P.C.B. for 44006	S100481	62438	Blade Cover Fastener for 44006	T5071	77545	Stainless Steel Screw TCEI U5931 M8x45 for 44006	V633115
19680	Ball 3 17 for 44006	S3005	60456	H Motor Fastener for 44006	T5157	77630	Stainless Steel Screw TCEI U5931 M4x12 for 44006	V634415
17465	Ball 4.76 for 44006	S3015	42974	Tie Rod for 44006	T5191	37058	Stainless Steel Screw M4x8 for 44006	V6370
77622	P.C.B. 230-50 for 44006	S3221	79280	Knife Shaft Assy for 44006	T8093	37059	Stainless Steel Screw M4x14 for 44006	V6371
77624	P.C. Board 230-50 for 44006	S3227	AN163	Traversino for 44006	T8550	66387	Screw TE U5737 M6x15 Stainless Steel for 44006	V6421X
77626	P.C.B. 230V/50Hz for 44006	S3269	62439	Blade Support Shaft for 44006	T9699	37067	Screw TE U5739 M5x20 for 44006	V6423
77541	Index Arm for 44006	S3802	79283	Shaft Pin for 44006	T9742	77578	Stainless Steel Screw TE U5739 M8x14 for 44006	V645715
77542	Cylindrical Pin U1707 8x35 Stainless Steel for 44006	S7432	AN164	Gauge Plate Alluminio for 44006	V315005	37074	Screw TE U5739 M8x30 Stainless Steel for 44006	V6462X
36920	Pin 4x25 for 44006	S7526	60454	Fan INT90 for 44006	V4005	37077	Screw TSP U6109 M4x6 Inox for 44006	V700615
36924	Pin M.E.U6875 6x30 for 44006	S7546	37013	Motor Fan MEC80 148x16 for 44006	V4014	17497	Screw TSP U6109 M5x15 Stainless Steel for 44006	V7014X
36926	Pin U7586 3x18 for 44006	S7557	37018	Screw STTC U6113 M6x6 for 44006	V6010	17498	Screw TSPEI U5933 M4x10 for 44006	V7043
77569	Pin U7586 6x30 for 44006	S7570	26127	Stud C Model for 44006	V602115	37083	Locking Screw-Support for 44006	V705016
17476	Foot Support Pin D.10 M8 L.37 for 44006	S7595	37021	Screw for 44006	V6030	19713	Screw Sharpener for 44006	V7710
77526	Pin Ø8x23 for 44006	S7608	37023	Screw STEI U5929 M5x5 for 44006	V6065	37091	Screw H for 44006	V7730
77570	Lock Pin for Carr. Plate Rotation for 44006	S7618	19691	Grub Screw M6x6 for 44006	V6066	17503	Screw M5x13 for 44006	V7908
77571	Lock Pin Pusher Arm for 44006	S7623	37024	Screw STEI U5929 M6x6 for 44006	V6066X	19715	Screw Sharpener for 44006	V7910
60468	Statore 120-60 H (Tubo Alettato) for 44006	S8561	19692	Screw M6x8 for 44006	V6067	19717	Screw M6x50 for 44006	V7917
19870	Stator 120/60 for 44006	S8562	19694	Screw M8x10 for 44006	V6075	19917	Screw BS for 44006	V7960
AN162	Support Plate for 44006	S880823	37029	Screw STEI U5929 M8x20 for 44006	V6079	37095	Screw for Rod 6x13 for 44006	V7993A
77597	Washer Bracket A310 for 44006	S9009	79285	Screw STEI U5923 M10x30 Inox for 44006	V608015	19724	Screw H for 44006	V8001
62412	Blade Ring Guard Support for 44006	S9181	19697	Screw M5x16 for 44006	V6211	16987	Special Screw M6x15 for 44006	V8020
36965	Protection Support for 44006	S9186	19699	Screw M4x25 for 44006	V6231	37102	Screw M6x20 for 44006	V8035
77572	Bracket for Plate Rod for 44006	S9188	19700	Screw M6x16 for 44006	V6240	19920	Screw M8x30 for 44006	V8036
19181	Bracket Support for 44006	S9192	77598	Stainless Steel Screw TCEI U5931 M6x20 for 44006	V6245X	37104	Threaded Stud for 44006	V8042
24158	Pusher Rod Support for 44006	S9226	37042	Screw TCEI U5931 M8x25 for 44006	V6254	77580	Stainless Steel Screw M8x16 for 44006	V8051
60422	Touch Pad Back Casing for 44006	S9236	19704	Screw M10x16 for 44006	V6262	37113	Screw for Carr. Index M8x25 for 44006	V8099
77574	Hand Grip Support for 44006	S9434	77530	Screw TCEI U5931 M10x30 for 44006	V6264	77581	Special Screw M10x18 for 44006	V8103
79619	Sharpener Holder for 44006	S9449	19706	Screw for 44006	V6278	77582	Special Screw Ø8x15 for 44006	V8104
19877	Rubber Cap for 44006	T1001	37050	Screw TC Aut.D7971 4.2x9 for 44006	V6285	77532	Special Screw M8x40 for 44006	V8121
36981	Rubber Cap for 44006	T1004	77531	Screw TCEI U5931 M6x14 Inox for 44006	V628915			
19879	Label for 44006	T1603	77599	Screw TC TC AUT.D7981 4.2x16 for 44006	V6292			